

Output filter for 3-phase frequency inverter

**Description**

- Compact design
- Standard versions include insulated safety screw terminals
- Enhancement of the system efficiency

**Standards**

- IEC 60939
- EN 133 200

**Approvals**

- VDE Certificate Number: 40004669

**Applications**

- Voltage rating 550 VAC for world wide acceptance
- Motors can be fed through long cables
- Reduces the voltage rise rate of inverter output voltage

**References****Weblinks**

pdf, html, General Product Information, Approvals, RoHS, CHINA-RoHS, e-Store, SCHURTER-Stock-Check, Distributor-Stock-Check

**Technical Data**

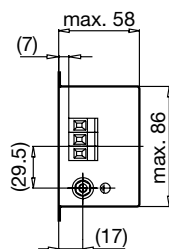
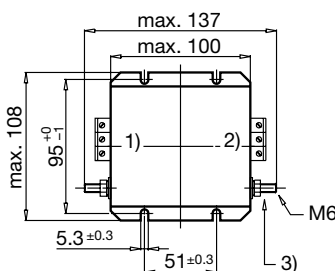
Rated Current	8 - 32 A @ Ta 40 °C
Rated voltage	550 VAC; 50/60 Hz
Approval for	8 - 32 A @ Ta 40 °C / 550 VAC; 50 Hz
Overload Current	1.5 x Ir
Leakage Current	standard < 0.5 mA (440 V / 50 Hz)
Dielectric Strength for 480 VAC	2.25 kVDC between L-L 3 kVDC between L-PE Test voltage (2 sec)
Voltage Rise Rate dU/dt	< 500 V/μs
Weight	1.36 - 7 kg
Material: Housing	Metal
Sealing Compound	UL 94V-0

Mounting	Screw-on mounting on chassis, from top
Terminal	Screw clamps
Operating Temperature [°C]	-25 °C to 100 °C
Climatic Category	25/100/21 acc. to IEC 60068-1
Degree of Protection	IP 20 acc. to IEC 60529
Protection Class	Suitable for appliances with protection class 1 acc. to IEC 61140
MTBF	> 200'000 h acc. to MIL-HB-217 F

**Dimensions**

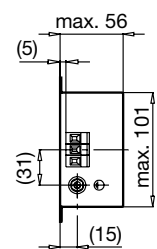
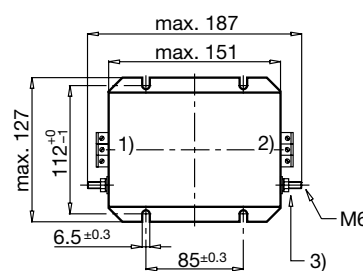
Case 24

I/O connections torque 0.6...0.8 Nm



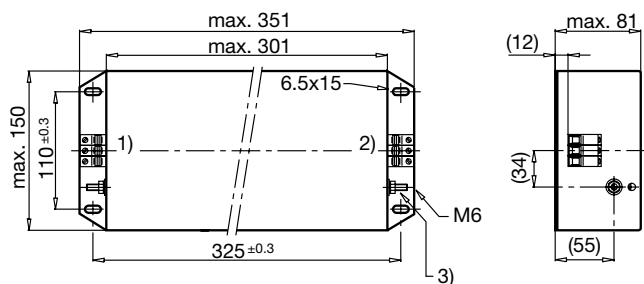
Case 27

I/O connections torque 0.6...0.8 Nm

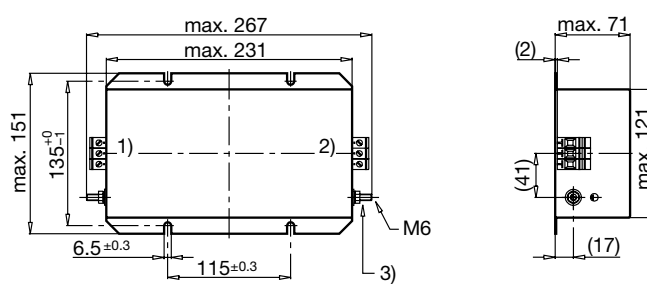


- 1) Inverter
- 2) Motor
- 3) Nut torque 3...4 Nm

Case 38  
I/O connections torque 1.5...1.8 Nm

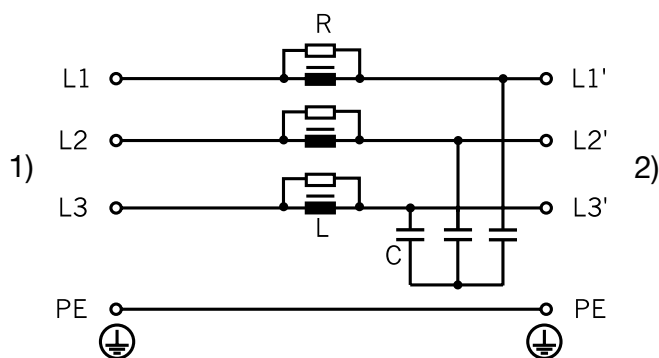


Case 40  
I/O connections torque 1.5...1.8 Nm

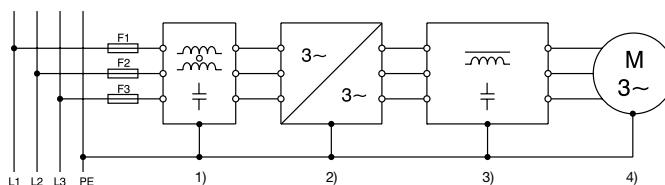


- 1) Inverter
- 2) Motor
- 3) Nut torque 3...4 Nm

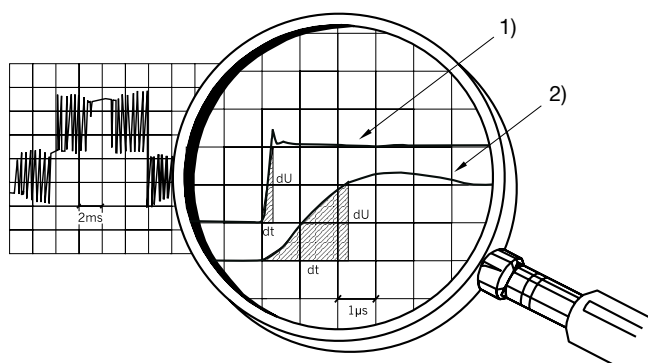
### Diagrams



- 1) Inverter
- 2) Motor



- 1) EMC Filter
- 2) Frequency Inverter
- 3) Output Filter dU/dt
- 4) Induction Motor



- 1) without Output Filter dU/dt
- 2) with Output Filter dU/dt

### Variants

Rated Current [A]	Rated Voltage [VAC]	Contact Resistance [mΩ]	L [mH]	C [nF]	Weight	Clamps [mm <sup>2</sup> ]	Housing	Order Number
16	550	11.6	0.2	4.7	2.2	4	27	FMAC-0A27-1613
25	550	9.2	0.2	4.7	4.7	6	40	FMAC-0A40-2513
32	550	9.2	0.2	4.7	7	10	38	FMAC-0A38-3213
8	550	22	0.2	4.7	1.36	4	24	FMAC-0A24-0813

8A version: packing unit 2 pcs.

**Packaging unit**      1 Pcs

---