

IEC Appliance Inlet C14 with Line Switch 2-pole, Fuseholder 1- or 2-pole

Standard or Medical Fuse drawer



C14



70° C



### Description

- Panel Mount:  
Screw-on version from front or rear side
- 3 Functions:  
Appliance Inlet Protection class I, Line Switch 2-pole, Fuseholder for fuse-links 5 x 20 mm 1- or 2-pole
- Quick connect terminals 4.8 x 0.8 mm

### Approvals

- VDE Certificate Number: 40018283
- UL File Number: E93617

### Characteristics

- Ultra-compact design. Ideal for low profile designs
- All single elements are already wired
- Fuse drawer meets requirements of medical standard IEC/EN 60601-1  
The fuseholder is accessible from the equipment front  
For added safety "Extra-Safe" fuse drawers are available
- Ideal for application with high transient loads  
Designed for standard and medical applications
- Qualified for use in equipment according IEC/EN 60950

### Other versions on request

- Solder terminals
- Fuse drawer 1-pole, plus spare fuse case
- Fuse drawer 2-pole, with shorting bar
- Other rocker marking
- Line switch 1-pole
- Protection class II, 70°C

### References

- Alternative: version with line filter [DD12](#)
- Alternative: version for snap-in mounting [KM](#)
- Alternative: version for PCB mounting [DD21](#)

### Weblinks

[pdf](#), [html](#), [General Product Information](#), [Approvals](#), [RoHS](#), [CHINA-RoHS](#), [Mating Connectors](#), [e-Shop](#), [SCHURTER-Stock-Check](#), [Distributor-Stock-Check](#), [Accessories](#), [Wire Harness](#)

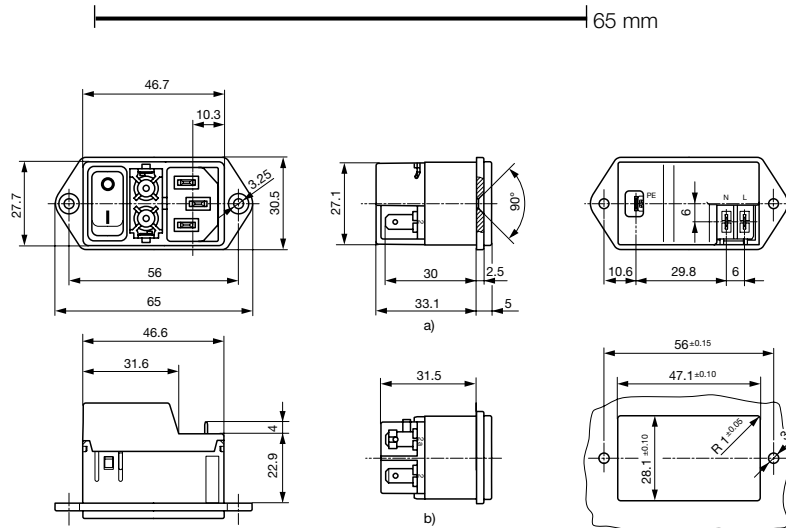
### Technical Data

Ratings IEC	10A / 250VAC; 50Hz	Appliance Inlet	C14 acc. to IEC/EN 60320-1 UL 498, CSA C22.2 no. 42 (for cold conditions) pin-temperature 70 °C, 10A, Protection Class 1
Ratings UL/CSA	8A / 250VAC; 60Hz <sup>1)</sup>	Fuseholder	1 or 2 pole, Shocksafe category PC2 acc. to IEC 60127-6, for fuse-links 5 x 20mm
Dielectric Strength	> 2.5kVAC between L-N > 3kVAC between L/N-PE (1 min/50Hz)	Rated Power Acceptance @ Ta 23 °C	5 x 20: 2W (1 pole)/ 1.6W (2-pole) per pole
Allowable Operation Temp.	-25 °C to 85 °C	Power Acceptance @ Ta > 23°C	Admissible power acceptance at higher ambient temperature see derating curves
Degree of Protection	from front side IP 40 acc. to IEC 60529	Line Switch	Rocker switch 2-pole, non-illuminated or illuminated, acc. to IEC 61058-1 <a href="#">Technical details</a>
Protection Class	Suitable for appliances with protection class 1 acc. to IEC 61140		
Terminal	Quick connect terminals 4.8 x 0.8 mm		
Panel Thickness s	Screw-on mounting: max 8mm Mounting screw torque max 0.5Nm Rear side mounting: max 2 mm		
Material: Housing	Thermoplastic, black, UL 94V-0		

1) with cover 7 A, without cover 8 A

## Dimensions

Screw version



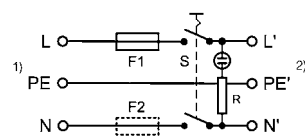
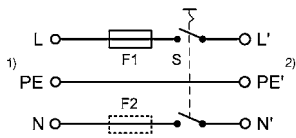
a) view with cover

b) view without cover

## Diagrams

non illuminated

illuminated

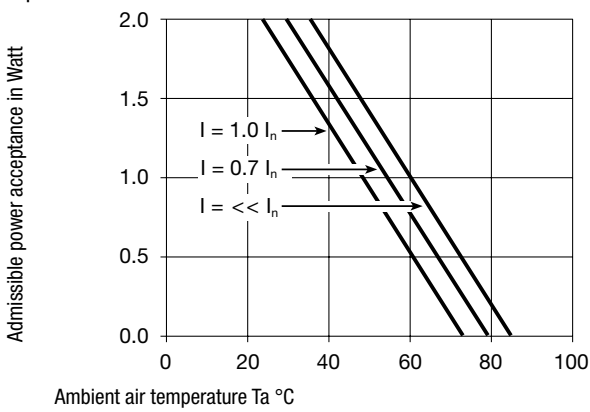


1) Line  
2) Load

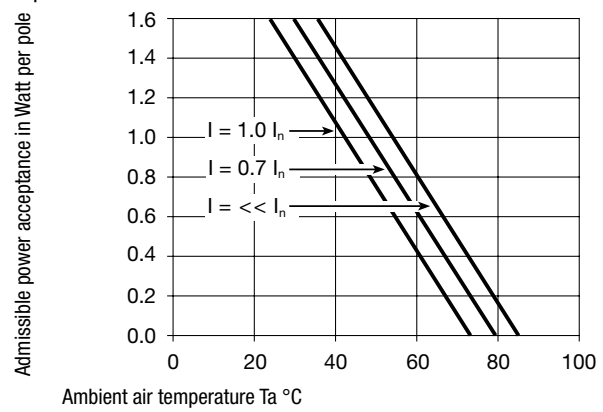
1) Line  
2) Load

## Derating Curves

1-pole



2-pole



## Variants

Fuse drawer must be ordered separately (see accessories).  
Fingerrip and Extra Safe. The same drawer as used by type KEA.

Fuseholder	Line Switch	Illumination	Color	Cover <sup>1)</sup>	Order Number
1-pole	2-pole	non-illuminated	-		DD11.0111.1110
1-pole	2-pole	illuminated	red		DD11.0113.1110
1-pole	2-pole	illuminated	green		DD11.0114.1110
2-pole	2-pole	non-illuminated	-		DD11.0121.1110
2-pole	2-pole	illuminated	red		DD11.0123.1110
2-pole	2-pole	illuminated	green		DD11.0124.1110
1-pole	2-pole	non-illuminated	-	●	DD11.0111.1111
1-pole	2-pole	illuminated	red	●	DD11.0113.1111
1-pole	2-pole	illuminated	green	●	DD11.0114.1111
2-pole	2-pole	non-illuminated	-	●	DD11.0121.1111
2-pole	2-pole	illuminated	red	●	DD11.0123.1111
2-pole	2-pole	illuminated	green	●	DD11.0124.1111

<sup>1)</sup> current rating UL: with cover 7 A, without cover 8 A

**Packaging unit** 50 Pcs

## Required Accessory

### Description



**Fusedrawer 2**  
Fusedrawer with and without Voltage Selector Insert

## Accessories



**Wire Harness**  
Wire harness for SCHURTER products



**Cord retaining kits**  
Cord retaining strain relief

## Mating Outlets/Connectors

### Category / Description

#### Appliance Outlet Overview complete



IEC Appliance Outlet F, Screw-on Mounting, Front Side, Solder Terminal	4787
IEC Appliance Outlet F, Snap-in Mounting, Front Side, Solder or Quick-connect Terminal	4788
IEC Appliance Outlet F or H, Screw-on Mounting, Front Side, Solder, PCB or Quick-connect Terminal	5091
IEC Appliance Outlet F or H, Screw-on Mounting, Front Side, Solder or Quick-connect Terminal	5092

[Appliance Outlet further types to DD11](#)

#### Connector Overview complete



IEC Connector C15, Rewireable, Straight	0101
IEC Connector C15A, Rewireable, Straight	0102
IEC Connector C15A, Rewireable, Straight	0102-G
IEC Connector C15A, Rewireable, Angled	0112
IEC Connector C13, Rewireable, Angled	4012

[Connector further types to DD11](#)

...

#### Power Cord Overview complete



Power Cord with IEC Connector C13, Angled	0311
Power Cord with IEC Connector C13, Angled	3011
Power Cord with IEC Connector C13, Angled	3012
Power Cord with IEC Connector C13, Angled	3013
Power Cord with IEC Connector C13	3020

[Power Cord further types to DD11](#)

...