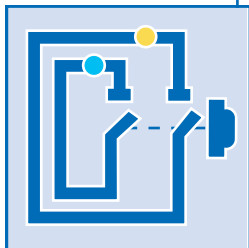
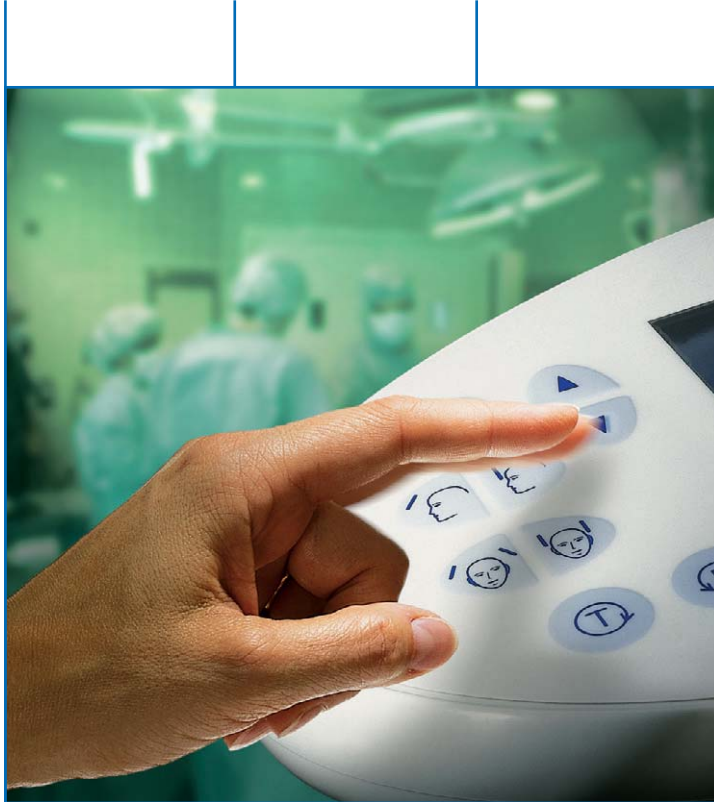
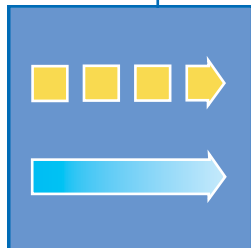


DUAL TIP

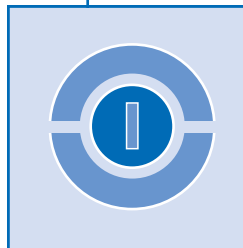
ONE KEYPOINT – TWO SWITCHING STEPS



DOUBLE CONTACT



2-STEPS



SECURITY



MEDICAL PRODUCTS
STANDARD

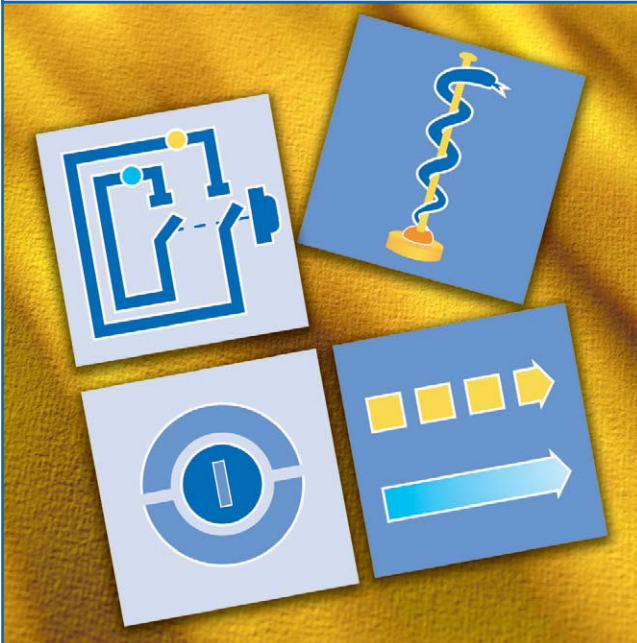
The new SCHURTER Dual Tip keypad combines the advantages of a membrane keypad with those of the two step switching technique. With one keypoint, two completely different switching operations can be independently released from each other. The Dual Tip keypad is available in two versions:

With the switch-snap version, the first contact is made without any notice of the user, only the second contact is giving a tactile feedback. With the double-click version, both contacts are giving a tactile feedback and therefore allow for conscious controlling of two different operations.

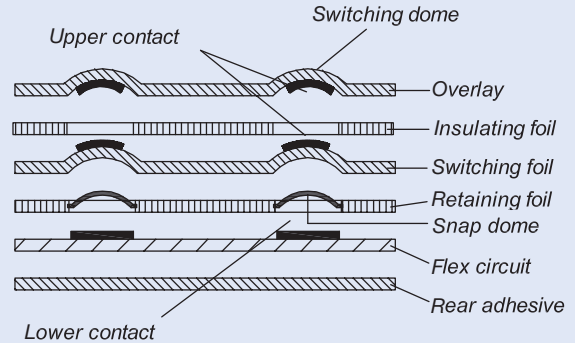
KEYPAD LINE

INPUT SYSTEMS

DUAL TIP – ONE KEYPOINT – TWO SWITCHING STEPS



2-STEP-SWITCHING SECURITY KEYPAD



TECHNICAL DATA

Keypoint distance	≥ 19.0 mm
Contact material	silver ink + carbon, silver/carbon conductor (CuAu)
Embossing	dome embossing, snap dome, pillow embossing
Actuation force	4.0 – 7.0 N, according to layout
Actuation travel	0.6 – 1.2 mm, according to layout
Lifetime min.	1 Mio. actuations
Switching voltage max.	42 V DC / 30 V AC
Switching current max.	50 mA
Trace resistance	Silver ink, width 0.7 mm, circuit line thickness 10 µm, max 1 Ω/cm CuAu, width 0,25 mm, circuit line thickness 17 µm, max 50 Ω/cm
Operating temperature	- 25°C to + 75°C
Degree of protection (electrical layer)	IP 65

Advantages:

- Complies with the medical products standard IEC 60601 (intrinsic safety)
- No complex circuit technology due to two separated switch contacts
- Less expensive by the use of foil technology
- Allows to control drives with two different speeds
- Realizes commands of the type “request before confirmation”

Options:

- Different actuation forces can be defined
- Several types of embossing possible
- Various grid prints possible
- Integration of electrical components
- Printed resistors
- Insertion cavity
- EMC shielding, can also be used within the window area